

### TECHNICAL DATA SHEET

#### THUNDER

##### Product typology

CUT-OFF LED luminaire for square plaza, High mast and Contour lighting illumination (IP66) for pole top head or bracket installation on Ø60 mm poles

##### Material technical spec

Die-cast aluminum housing (ADC12) powder coated RAL7016  
 Adjustable top pole-head in die-cast aluminum powder coated RAL7016  
 Special polyester powder coating to ensure over 10 years protection against weathering  
 Flat tempered glass diffuser (4 mm thick)  
 Wiring plate in reinforced thermoplastic black painted  
 Silicone gasket  
 Stainless steel A2 screws

**Colour:** Black

##### Lighting technical spec

LED light source in a fixed position  
 Immediately ON at 100% of the light flux (soft start at 0,5 seconds)  
 Chip Lumileds® Luxeon® 3030 2D (optional Chip Lumileds® Luxeon® 5050)  
 CUT-OFF luminaire conforming to all regional/local laws against light pollution

##### Wiring technical spec

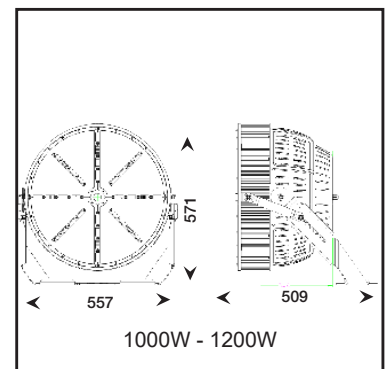
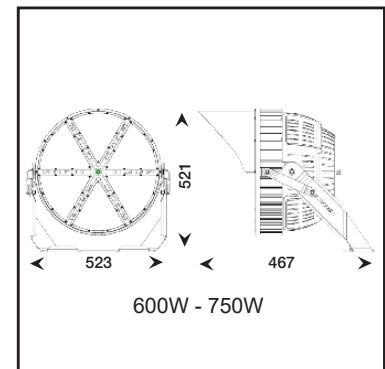
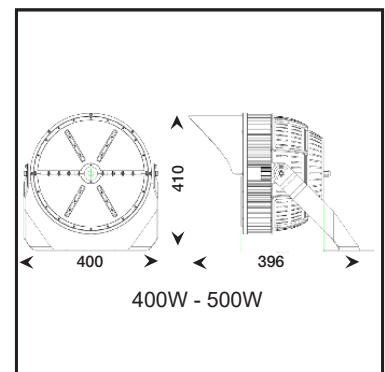
Tool-free simplified maintenance to access the optics  
 Quick connection between driver and switch through polarized connector  
 Dimmable driver 1-10 V (standard configuration)  
 Driver with over-temperature protection  
 Luminaire equipped with osmotic valve for air and umidity leakage

##### Installation and maintenance technical spec

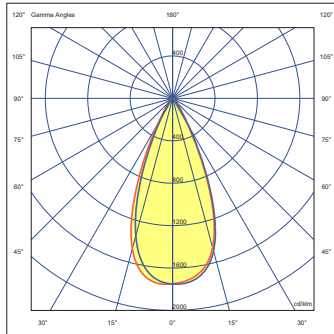
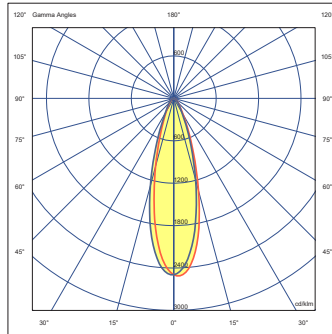
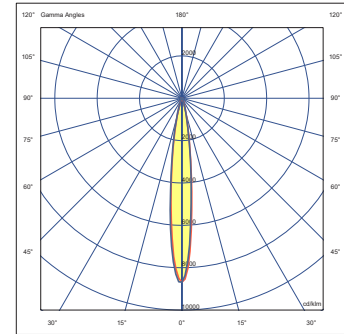
Luminaire for direct installation  
 M20 cable gland suitable for Ø 6-12 mm cable  
 No ordinary maintenance needed  
 Fast tool-free extra-maintenance and possibility to replace the optic group and/or the wiring  
 No voltage when opening the luminaire through disconnecting switch  
 Adjustable top pole-head in vertical/horizontal position with adjustable inclination of ±10° (with 5° step)

##### Technical spec

- CRI	>70	- Working voltage	100-277 Vac
- Step McAdam	3	- Rated frequency	50/60 Hz
- Luminaire lifetime	L80/B20 80.000 h@25°C	- IP protection	IP66
- RG	1	- Impact Protection Rating	IK08
- Power factor	>0,9	- Overvoltage protection	SPD esterno
- Isolation Class	I, II		



Weight/Dimension	400 - 500 W	600 - 750 W	1000 - 1200 W
Net weight	14,7 kg	27,6 kg	32,8 Kg
Gross weight	17,1 kg	32 kg	37,6 kg
Luminaire dimension	400x396x410 mm	523x467x521 mm	557x509x571 mm
Packaging dimension	480*480*470 mm	630*570*565 mm	680*630*585 mm

**Beam angle:**

**Lens 42°**

**Lens 30°**

**Lens 15°**
**Codice d'ordine del prodotto -**
**Esempio: BA.1.1.7.400.1.N (THUNDER 42° Classe 1 CRI>70 400W 3000k NERO)**

BA	1	1	7	400	1	N
Prodotto Product	Ottica Optical	Classe Class	CRI CRI	Potenza Power	CCT CCT	Colore Color
BA Proiettori Thunder	<b>1</b> 30°	<b>1</b> Classe 1	<b>7</b> CRI >70	<b>400</b> 400W	<b>1</b> 3000K	<b>N</b> NERO - BLACK
	<b>2</b> 15°	<b>2</b> Classe 2		<b>500</b> 500W	<b>2</b> 4000K	
	<b>3</b> 42°			<b>600</b> 600W	<b>5</b> 5500K	
				<b>750</b> 750W		
				<b>A00</b> 1000W		
				<b>A12</b> 1200W		

Potenza Nominale Nominal Power	Temperatura colore Color temperature	Flusso apparecchio* Luminaire flux	Efficienza apparecchio Luminaire efficiency	Potenza apparecchio Luminaire consumption	Assorbimento scheda LED PCB LED consumption	Efficienza scheda LED PCB LED efficiency	Flusso scheda LED* PCB LED flux
400 W	4000 K	54.000 lm@ta25°C	>135 lm/W	400 W	364 W	172 lm/W	62.608 lm@ta25°C
500 W	4000 K	65.000 lm@ta25°C	>130 lm/W	500 W	455 W	168 lm/W	76.440 lm@ta25°C
600 W	4000 K	81.000 lm@ta25°C	>135 lm/W	600 W	546 W	172 lm/W	93.912 lm@ta25°C
750 W	4000 K	97.500 lm@ta25°C	>130 lm/W	750 W	682,5 W	168 lm/W	114.660 lm@ta25°C
1000 W	4000 K	135.000 lm@ta25°C	>135 lm/W	1000 W	910 W	170 lm/W	154.700 lm@ta25°C
1200 W	4000 K	156.000 lm@ta25°C	>130 lm/W	1200 W	1080 W	166 lm/W	179.280 lm@ta25°C

conversion factor for lumen at 5500 K: 1,00

**CE IP66 CUT OFF IK08**