

PRODUCT DATA SHEET

SLIM LED

Product typology

LED linear luminaire for wall or ceiling installation, indoor use (IP20). Suitable to replace fluorescent linear lamps

Material technical spec

Extruded anodized aluminum housing
 Opal PC diffuser
 Stainless steel 201 fixing spring clips

Color: white and grey

Lighting technical spec

LED light source in a fixed position for a round symmetrical light throw
 Immediately ON at 100% of light flux

Wiring technical spec

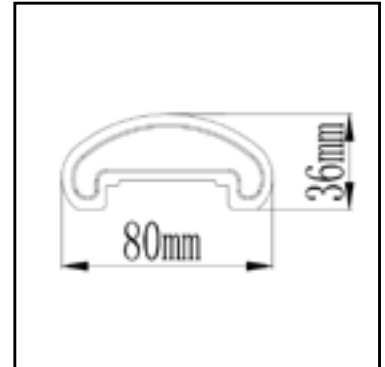
Driver included

Installation and maintenance technical spec

Simplified wall or ceiling installation through spring clips (dowels not included)
 Channel on the backside for cables passage, that allow the connection between several luminaires in succession

Technical spec

- CRI	>80	- Nominal voltage	220-240 V
- Lifetime LED	25.000 h@25°C	- Rated Frequency	50/60 Hz
- Lifetime Driver	25.000 h@25°C	- Power factor	>0,90
- RG	0	- IP Protection	IP20
- Beam angle	150°	- Insulation class	II

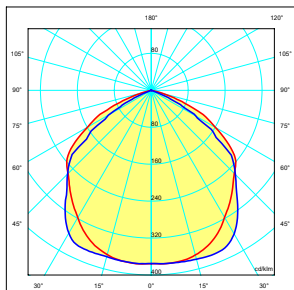


Weight/Dimension	SLIM LED 20 W	SLIM LED 30 W	SLIM LED 40 W	SLIM LED 50 W
Net weight	455 g	655 g	890 g	1060 g
Luminaire dimension	580x80x36 mm	880x80x36 mm	1190x80x36 mm	1480x80x36 mm
Single packaging	600x90x40 mm (550 g)	900x90x40 mm (820 g)	1210x90x40 mm (1025 g)	1500x90x40 mm (1260 g)
Multiple packaging (20 pcs)	620x380x220 mm (12,0 kg)	920x380x220 mm (17,5 kg)	1230x380x220 mm (22,0 kg)	1520x380x220 mm (27,0 kg)

CE IP20



Photometry



Beam angle 150°

Codice Code	Descrizione prodotto Product description	Potenza Nominale Nominal Power	Temperatura colore Color temperature	Flusso apparecchio Luminaire flux	Efficienza apparecchio Luminaire efficiency
402203	SLIM LED 20W 3000K	20 W	3000 K	1.780 lm@ta25°C	89 lm/W
402204	SLIM LED 20W 4000K	20 W	4000 K	1.840 lm@ta25°C	92 lm/W
402303	SLIM LED 30W 3000K	30 W	3000 K	2.670 lm@ta25°C	89 lm/W
402304	SLIM LED 30W 4000K	30 W	4000 K	2.760 lm@ta25°C	92 lm/W
402403	SLIM LED 40W 3000K	40 W	3000 K	3.560 lm@ta25°C	89 lm/W
402404	SLIM LED 40W 4000K	40 W	4000 K	3.680 lm@ta25°C	92 lm/W
402503	SLIM LED 50W 3000K	50 W	3000 K	4.450 lm@ta25°C	89 lm/W
402504	SLIM LED 50W 4000K	50 W	4000 K	4.600 lm@ta25°C	92 lm/W