

PRODUCT DATA SHEET

AVIOR

Product typology

High efficiency LED flood light (IP66) supplied with adjustable bracket

Material technical spec

Die-cast aluminum housing powder coated
 Diffuser in transparent tempered glass diffuser (IK08)
 A2 stainless steel screws

Color: black

Lighting technical spec

LED light source with adjustable round symmetrical light throw
 Chip LED NICHIA NF2L757
 Beam available in the 30°, 65°x120° and 120° versions
 Immediately ON at 100% of light flux

Wiring technical spec

Driver SOSEN included (driver MEANWELL on request)
 Dimmable driver SOSEN 1-10V (optional for 200 W version)
 Quick electrical connection via pre-wired cable (1 m length and 3x1 m² area)
 Quick electrical connection to the dimming signal via pre-wired cable (1 m length and 2x1 m² area)

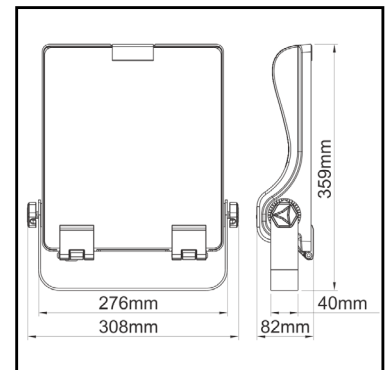
Installation and maintenance technical spec

Flood LED light suitable for direct ceiling or wall installation thanks to the steel bracket (included)
 Dowels to fix the bracket are not included
 Adjustable inclination by setting the screws on the bracket sides
 No ordinary maintenance needed

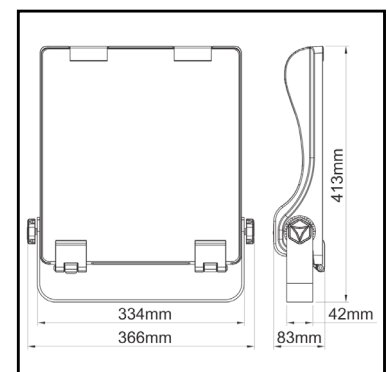
Technical spec

- CRI	>80	- Nominal voltage	100-277 V
- Step McAdam	3	- Rated Frequency	50/60 Hz
- Lifetime LED	70.000 h@25°C L80	- IP Protection	IP66
- Lifetime Driver	100.000 h@TC25°C	- Resistance to impacts	IK08
- RG	0	- Surgeon protection	DM6kVA CM12kVA
- Beam angle	30°, 65°x120°, 120°		

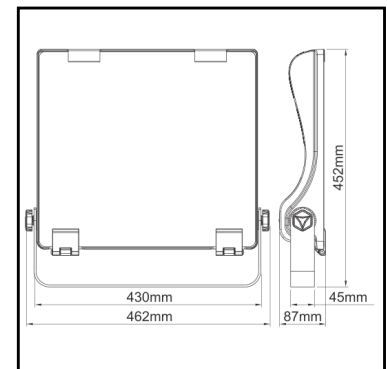
Weight/Dimension	AVIOR 80 W	AVIOR 150 W	AVIOR 200 W
Net weight	4,6 kg	6,7 kg	9,4 kg
Gross weight	5,1 kg	7,3 kg	10,1 kg
Luminaire dimension	308x82x359 mm	366x83x413 mm	462x87x452 mm
Packaging dimension	430x140x350 mm	500x140x420 mm	550x160x510 mm



AVIOR 80 W



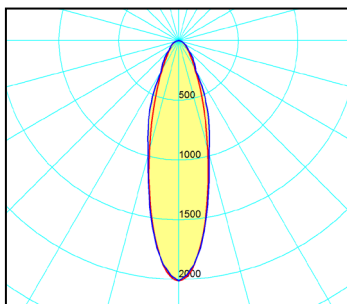
AVIOR 150 W



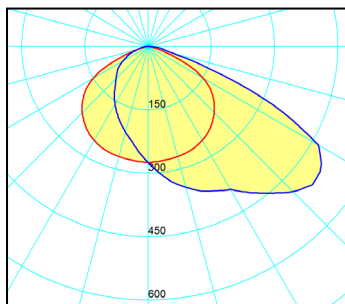
AVIOR 200 W



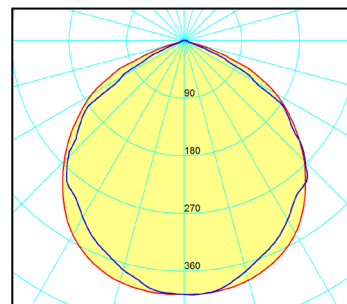
Beam angle



Lens 30°



Lens 65x120°



Beam angle 120°

Codice d'ordine del prodotto -

Esempio: B10.1.1.8.040.2.N (AVIOR 120° Classe 1 CRI>80 40W 4000k NERO)

B10	1	8	035	1	N	
Prodotto Product	Ottica Optical	Classe Class	CRI CRI	Potenza Power	CCT CCT	Colore Color
B10 Proiettori AVIOR	1 120°	1 Classe 1	8 CRI >80	040 40W	1 3000K	N NERO - BLACK
	5 30°	2 Classe 2		080 80W	2 4000K	
	7 65x120°			120 120W	4 5000K	
	3 65x120° DIM			150 150W		
	4 30° DIM			200 200W		



All delivered lumen calculated at 25°C

ZETAENNE SRL maintains a tolerance of +/-5% on flux, power and CRI measurements

ZETAENNE SRL reserves the right to modify products and data in order to upgrade performance and design features

**ZETAENNE SRL**

Via L. Settembrini, 41 47039 Savignano sul Rubicone (FC)
Tel. +39 (0)543 468781 Fax +39 (0)543 449051
email: info@znled.it Pec: brightmax@pec.it
www.znled.it
C.F./P.IVA IT04089040408 Reg.Imprese REA FO-329237

Descrizione prodotto Product description	Potenza Nominale Nominal Power	Temperatura colore Color temperature	Flusso apparecchio Luminaire flux	Efficienza apparecchio Luminaire efficiency
AVIOR 40W 4000K 120°	40 W	4000 K	5.240 lm@ta25°C	131 lm/W
AVIOR 40W 5000K 120°	40 W	5000 K	5.280 lm@ta25°C	132 lm/W
AVIOR 40W 4000K 30°	40 W	4000 K	5.000 lm@ta25°C	125 lm/W
AVIOR 40W 5000K 30°	40 W	5000 K	5.040 lm@ta25°C	126 lm/W
AVIOR 40W 4000K 65°x120°	40 W	4000 K	5.000 lm@ta25°C	125 lm/W
AVIOR 40W 5000K 65°x120°	40 W	5000 K	5.040 lm@ta25°C	126 lm/W
AVIOR 80W 4000K 120°	80 W	4000 K	10.480 lm@ta25°C	131 lm/W
AVIOR 80W 5000K 120°	80 W	5000 K	10.560 lm@ta25°C	132 lm/W
AVIOR 80W 4000K 30°	80 W	4000 K	10.000 lm@ta25°C	125 lm/W
AVIOR 80W 5000K 30°	80 W	5000 K	10.080 lm@ta25°C	126 lm/W
AVIOR 80W 4000K 65°x120°	80 W	4000 K	10.000 lm@ta25°C	125 lm/W
AVIOR 80W 5000K 65°x120°	80 W	5000 K	10.080 lm@ta25°C	126 lm/W
AVIOR 120W 4000K 120°	120 W	4000 K	15.720 lm@ta25°C	131 lm/W
AVIOR 120W 5000K 120°	120 W	5000 K	15.840 lm@ta25°C	132 lm/W
AVIOR 120W 4000K 30°	120 W	4000 K	15.000 lm@ta25°C	125 lm/W
AVIOR 150W 5000K 30°	120 W	5000 K	15.120 lm@ta25°C	126 lm/W
AVIOR 120W 4000K 65°x120°	120 W	4000 K	15.000 lm@ta25°C	125 lm/W
AVIOR 120W 5000K 65°x120°	120W	5000 K	15.120 lm@ta25°C	126 lm/W
AVIOR 150W 4000K 120°	150 W	4000 K	20.550 lm@ta25°C	137 lm/W
AVIOR 150W 5000K 120°	150 W	5000 K	20.700 lm@ta25°C	138 lm/W
AVIOR 150W 4000K 30°	150 W	4000 K	19.200 lm@ta25°C	128 lm/W
AVIOR 150W 5000K 30°	150 W	5000 K	19.350 lm@ta25°C	129 lm/W
AVIOR 150W 4000K 65°x120°	150 W	4000 K	19.200 lm@ta25°C	128 lm/W
AVIOR 150W 5000K 65°x120°	150 W	5000 K	19.350 lm@ta25°C	129 lm/W
AVIOR 200W 4000K 120°	200 W	4000 K	27.200 lm@ta25°C	136 lm/W
AVIOR 200W 5000K 120°	200 W	5000 K	27.400 lm@ta25°C	137 lm/W
AVIOR 200W 4000K 65°x120° dimm. 1-10V	200 W	4000 K	25.200 lm@ta25°C	126 lm/W
AVIOR 200W 5000K 65°x120° dimm. 1-10V	200 W	5000 K	25.400 lm@ta25°C	127 lm/W
AVIOR 200W 4000K 30° dimm. 1-10V	200 W	4000 K	25.200 lm@ta25°C	126 lm/W
AVIOR 200W 5000K 30° dimm. 1-10V	200 W	5000 K	25.400 lm@ta25°C	127 lm/W

CE IP66 IK08 CUT OFF